



Luz Azul 9317CS-24

project name:

project location:

specifier name:

specifier location:

quantity:

fixture type:

modifications:

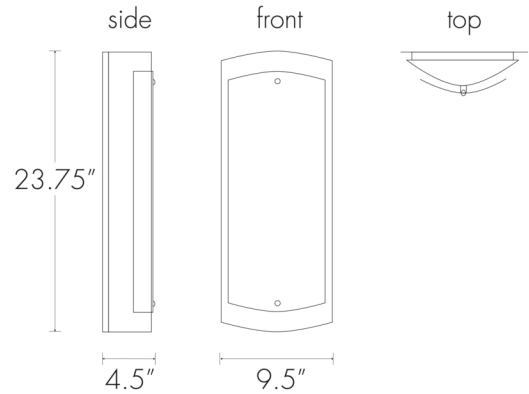
Base Specs

23.75"h x 9.5"w x 4.5"d

Notes

Multiple Sizes Available

- 9317CS | 17.75"h x 9.5"w x 4.5"d
- 9317CS-12 | 11.75"h x 7.5"w x 4"d
- 9317CS-24 | 23.75"h x 9.5"w x 4.5"d





Luz Azul 9317CS-24

standard finish:

CS - Corten Steel

lampping:

01: Incandescent, 2 x E26 - 60W max ea, A-Type, 120V, Standard Phase Dimming, UL/cUL Wet

02: 8.4w Integrated LED, 1181 Initial Lumens, 3000K, 90 CRI, 120V, Standard Phase Dimming (120V), or 120-277V, 0-10V Dimming (277V), UL/cUL Wet (120V Or 277V Must Be Specified)

03: Incandescent, 2 x E26 - 60W max ea, A-Type, 120V, Standard Phase Dimming, UL/cUL Dry/Damp

04: 14w Integrated LED, 2198 Initial Lumens, 3000K, 90 CRI, 120V-277V, 0-10V Dimming, UL/cUL Dry/Damp

10: Wattage Restriction Label - 2 x E26 for LED Retrofit 20W max ea - A-Type, 120V, Standard Phase Dimming, UL/cUL Dry/Damp

14: 16.8w Integrated LED, 2362 Initial Lumens, 3000K, 90 CRI, 120V, Standard Phase Dimming, UL/cUL Dry/Damp

